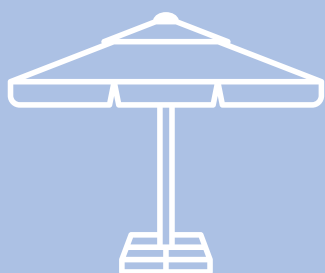


EN 1.2025

# Parasol Strong

Instructions manual



**LITEX**  
PROMO





## Table of contents

1. Introduction.....	2
2. Information.....	3
2.1. Important symbols.....	3
2.2. Safety information.....	4
3. Content.....	5
3.1. Necessary tools.....	5
4. Construction.....	5
5. Space requirements.....	6
6. Mounting of the parasol + Protective covers.....	7
6.1. 3 x 3 m, 3,5 x 3,5 m, 4 x 4 m, 5,5 m/8.....	7
6.2. 5 x 5 m.....	8
7. Exploitation of the parasol.....	9
7.1. Opening the parasol.....	9
7.2. Closing the parasol.....	9
8. Maintenance and care.....	10
9. Storage.....	11
10. Service and parts.....	11
11. Support.....	11
12. Diagram of dismantling the parasol.....	12

## 1. Introduction

Litex Promo offers a durable, high-quality advanced product in the form of a sunshade. The characteristic feature of the parasol is its functionality and modern design, providing a sense of comfort. The parasol is a perfect addition to any outdoor area of a restaurant or hotel.

The instruction manual applies to the sun parasol and considers the following:

- Safety,
- Installation,
- Operation,
- Maintenance.

The manufacturer Litex Promo Sp. z o.o. is not liable for damage resulting from failure to observe these instructions; such damage is also not subject to warranty. The General Terms and Conditions are available on the manufacturer's website. Litex Promo Sp. z o.o. informs you that it is absolutely necessary to read and follow this instruction manual before using the parasol.

### **You've got doubts? Not everything is understandable?**

Contact us:

e-mail: [info@litex.pl](mailto:info@litex.pl)

The parasol has been designed to act as a shield from the sun and is therefore intended exclusively for such use. It is absolutely necessary to use it only:

- As intended, i.e. as a sunshade,
- Under correct technical conditions,
- Under correct weather conditions.

Irregularities which may affect the safety and functioning of the parasol must be repaired immediately, otherwise its further use is forbidden.

All basic maintenance operations described in the manual can be carried out by the user. Any other complicated repair operations should not be carried out by persons not competent to safely operate the tools used for repair.

In connection with our positive verification of the quality and environmental management systems, we present confirmation of our competence in the various fields directly related to the production of high-quality garden parasols.

### **Certificates and standards**

- ISO 9001:2015 certification
- ISO 14001:2015 certification
- ISO 45001:2018 certification
- AQAP 2110:2016 certification
- ECOVADIS 2025 Certified
- Certificate of Conformity OBAC/0330/CZ/24.



We comply with the standards and system environmental management.

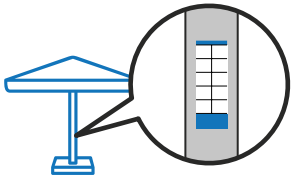


We comply with the international standards of the organisation's quality management system.

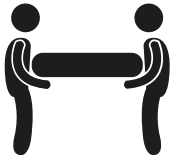
## 2. Information

### 2.1. Important symbols

The graphic symbols contained on the sticker on the pole and specify the following safety information:



Labeling for parasol – nameplate.



#### Attention

This symbol indicates information that relates to the danger of injury or accident. The parasol should be transported and installed by at least two people.

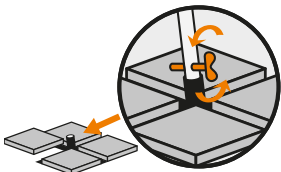


#### Disclaimer

This symbol indicates general guidelines for the operation of the parasol in windy conditions. The permissible wind speed for the use of the particular parasol can be found on the sticker on the parasol pole.



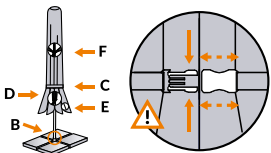
This symbol indicates general operating instructions for the product. The base of the parasol must be levelled.



This symbol indicates general operating instructions for the product. The parasol base must be placed on a firm surface. The parasol must be mounted to the cap of the parasol base using the supplied screw.



This symbol indicates general instructions for use of the product. The parasol base must be dedicated to the type of parasol as declared by the manufacturer (example > 160 kg means that the base must weigh more than 160 kg - the weight of the base depends on the model of parasol).



This symbol indicates general instructions for use of the product. When folded, the parasol must be fastened with a safety band to prevent it from opening by itself.



#### Tip

You've got doubts? Not everything is understandable?  
Contact us:  
e-mail: [info@lifex.pl](mailto:info@lifex.pl)



## 2.2. Safety information

### **Attention: Safety hazard!**

- Parasol should only be placed on a stable base and in the original bases designed for it.
- Always ensure that the pole is firmly attached to the parasol base.
- Always close the parasol and put the cover on when moderate winds increase, rain or snowfall comes.
- Do not hang any objects (e.g. clothes) on the ribs of the parasol.
- The parasol is not designed for use in snow load conditions. In this case, the parasol absolutely must be closed and fastened with a safety band to prevent it from opening by itself.
- We do not recommend mounting and positioning parasols at levels other than ground level (such as balconies, roofs, high terraces, etc.).

#### **A description of the wind force indicated on the sticker on the parasol pole**

Winds of approximately 12.5 m/s (45 km/h):

- Sighs to look out for on the land: large branches in motion. Wind swishing overhead can be heard. Hats torn from head.
- Sighs to look out for on the water mane forming, long high wave, sea spray. Waves with foam on ridges and splashes.

In the event of predicted strong winds and/or thunderstorms (especially communicated weather alerts), the product should be secured - close, fasten with a safety belt, pull from the base and put away in a safe place.

Warning: During storms and strong winds, no persons or animals are allowed within the parasol. We also recommend that you remove any objects that could be damaged. The manufacturer is not responsible for the consequences of unpredictable weather phenomena.

### **Warning: Risk of accident!**

- Before opening the sunshade, make sure there are no people around and before closing it, make sure there are no people under the sunshade.
- A sun parasol is not a toy.
- The product must not be operated by children or persons requiring care.
- Make sure that children do not use the sunshade as a play area or climbing object.

### **Caution: Risk of fire!**

No open fires, e.g. garden barbecues or barbecues, are allowed under or near the parasol. Fabric is a flammable material, so the cover should be kept at a safe distance from heat sources.

### **Note: Risk of damage to health!**

Repair work on the parasol must only be carried out by a person competent to use the required tools.

### **Warning: Risk of an accident!**

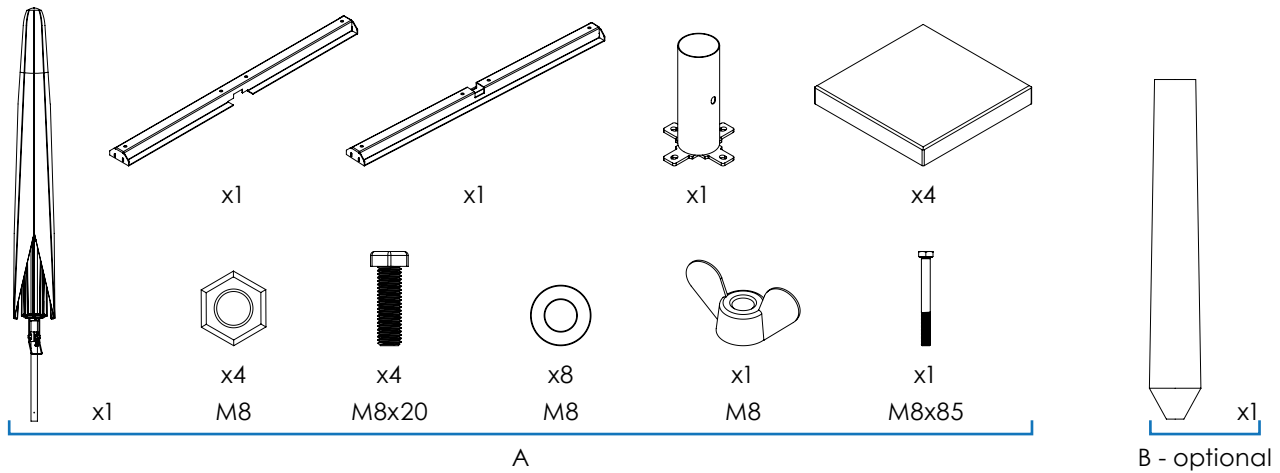
It is easier to install a parasol with the second adult's help. Do not use sharp tools to unpack the product. Do not place directly on the floor / ground – we recommend using a protective underlay, e.g. cardboard / foil / blanket to avoid scratching / soiling the product. Before installing make sure that parasol base is safely mounted and stable. Due to the weight of the base, it should be transported by min. two adults. Once the base is in position, insert the parasol into the base tube and secure by inserting and tightening the locking bolt provided. Tighten the bolt to the maximum resistance. During operation, the user must check / control the tightening of the screws of both the base and the parasol cap.

When opening / closing and moving, do not put your hands / fingers between the moving parts of the frame structure.

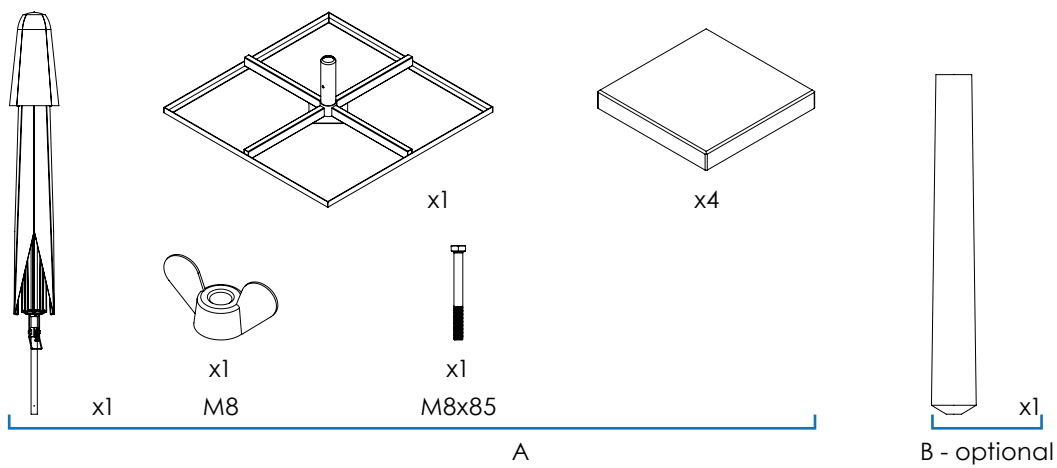
The parasol and base should be inspected at least once a year. Particular attention should be paid to the connections between the structural elements of the parasol, possible corrosion of materials and their strength.

### 3. Content

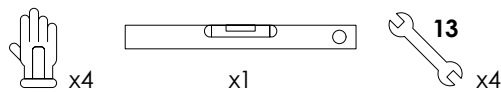
PDUE-B50: 3 x 3 m, 3,5 x 3,5 m, 4 x 4 m, 5,5 m/8



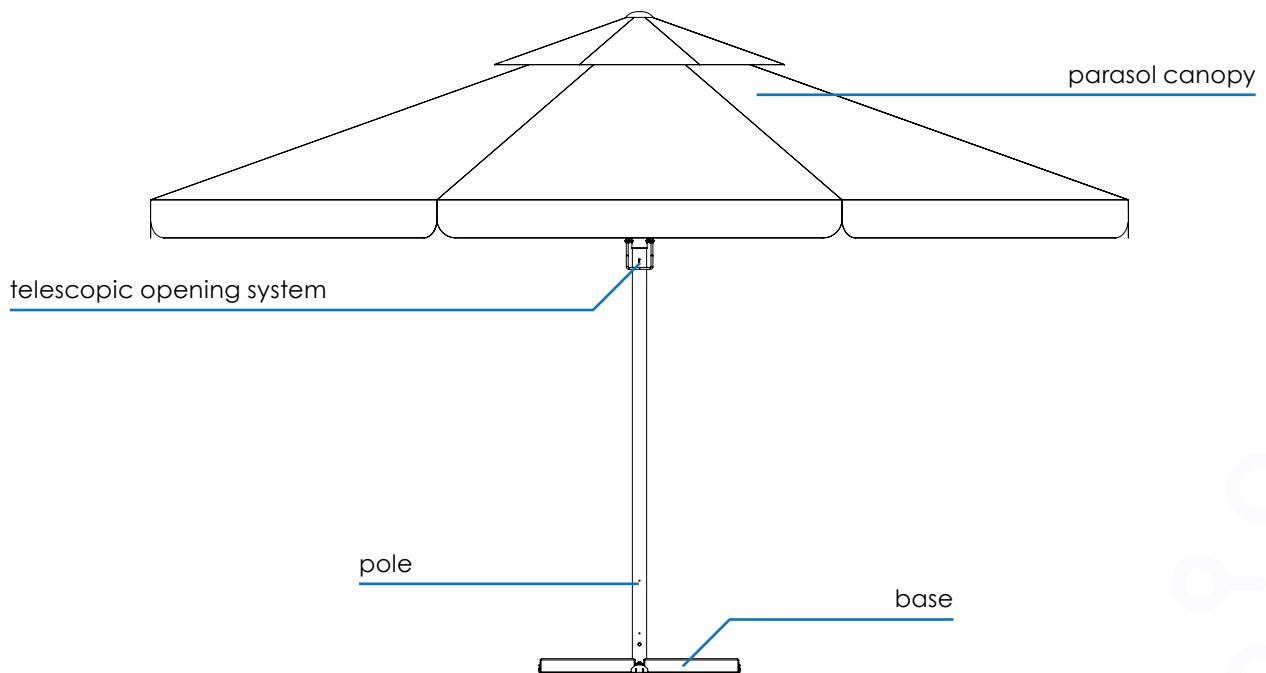
PDK5-B50: 5 x 5 m



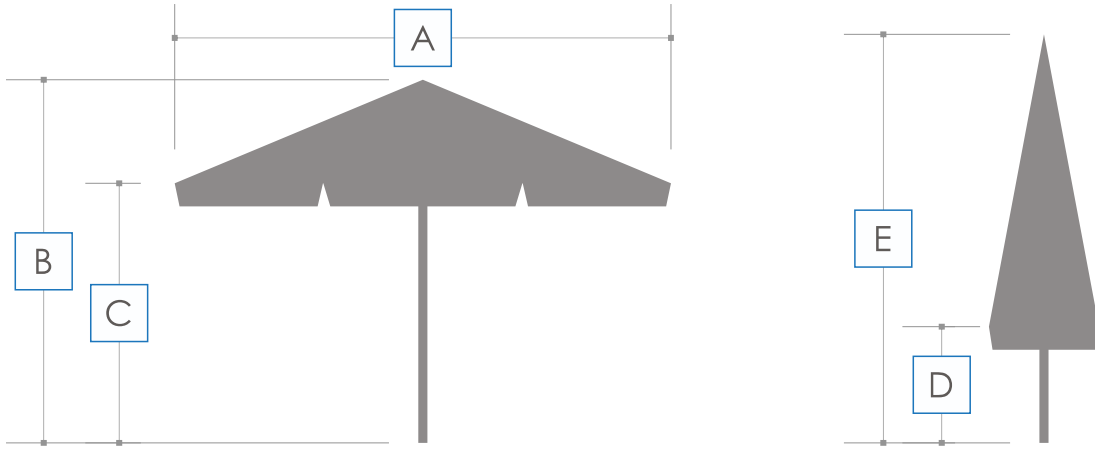
#### 3.1. Necessary tools



### 4. Construction



## 5. Space requirements

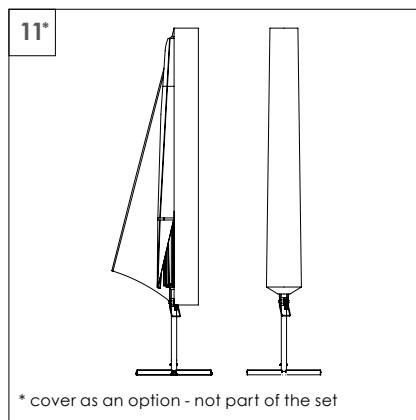
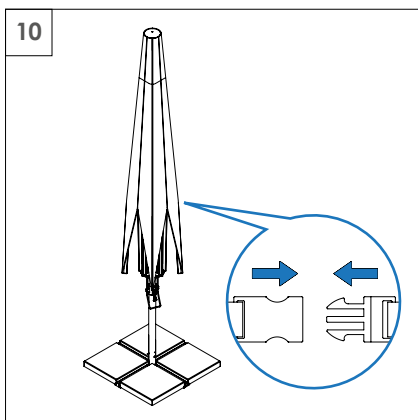
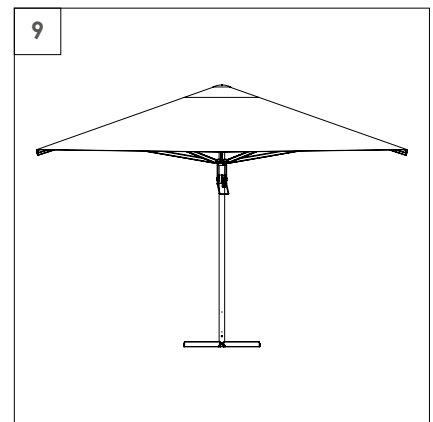
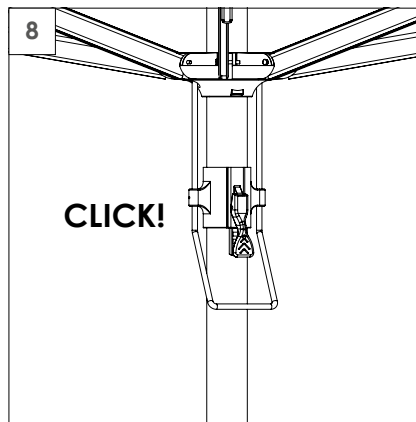
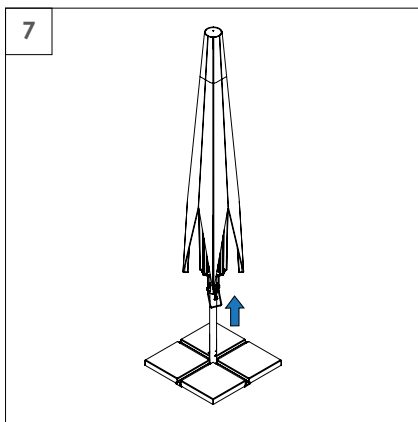
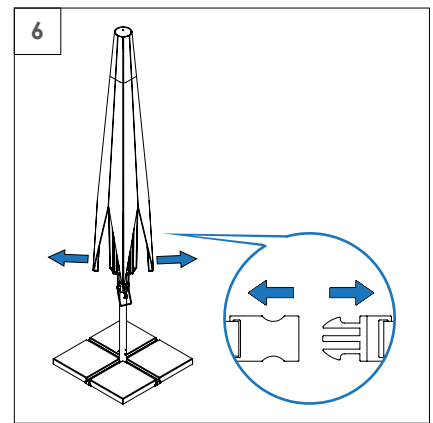
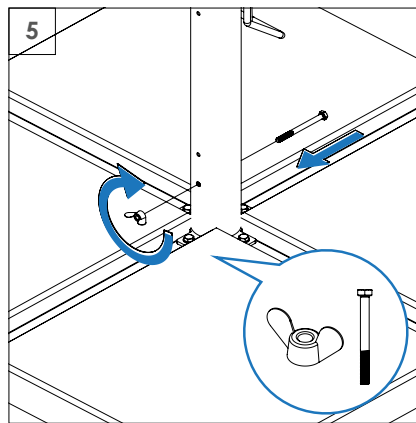
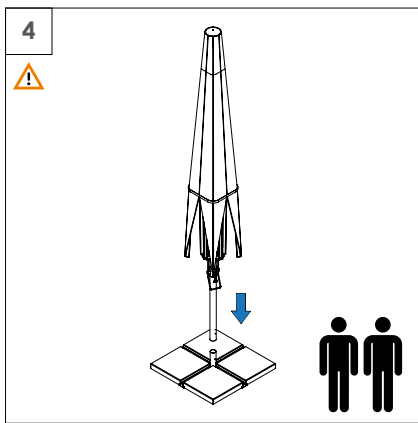
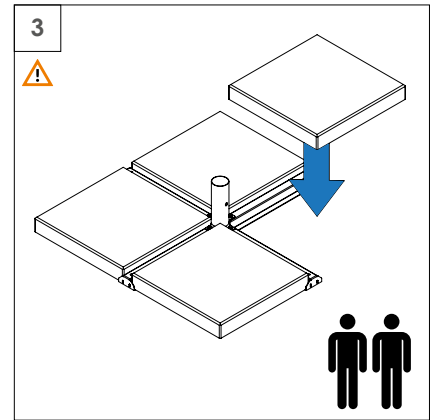
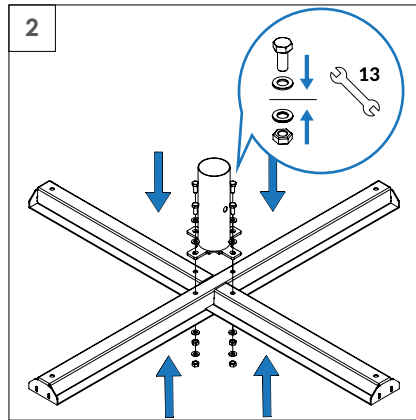
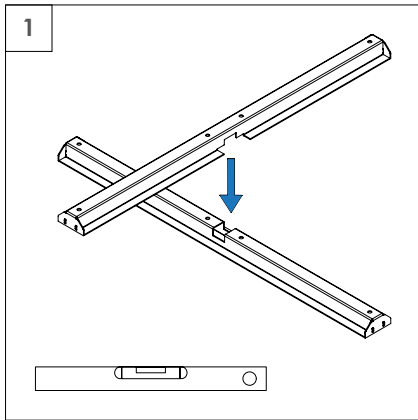


Size	3 x 3 m	3,5 x 3,5 m	4 x 4 m	5 x 5 m	5,5 m / 8
Dimensions [mm]	<b>A:</b> 3000 <b>B:</b> 2920 <b>C:</b> 2100 <b>D:</b> 1180 <b>E:</b> 3320 <b>F:</b> 1900 <b>G:</b> 820	<b>A:</b> 3500 <b>B:</b> 3260 <b>C:</b> 2180 <b>D:</b> 1070 <b>E:</b> 3600 <b>F:</b> 1910 <b>G:</b> 910	<b>A:</b> 4000 <b>B:</b> 3230 <b>C:</b> 2460 <b>D:</b> 1420 <b>E:</b> 4260 <b>F:</b> 1930 <b>G:</b> 1060	<b>A:</b> 5000 <b>B:</b> 3370 <b>C:</b> 2510 <b>D:</b> 1205 <b>E:</b> 4730 <b>F:</b> 2030 <b>G:</b> 815	<b>A:</b> 5500 <b>B:</b> 3300 <b>C:</b> 2270 <b>D:</b> 1530 <b>E:</b> 4320 <b>F:</b> 1940 <b>G:</b> 1090

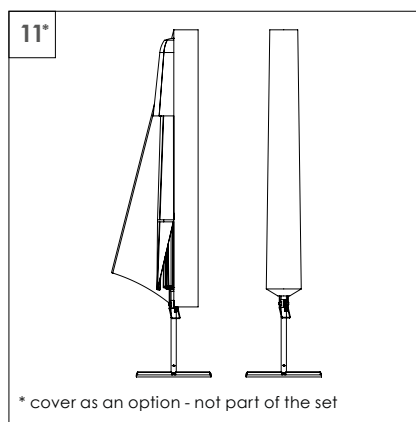
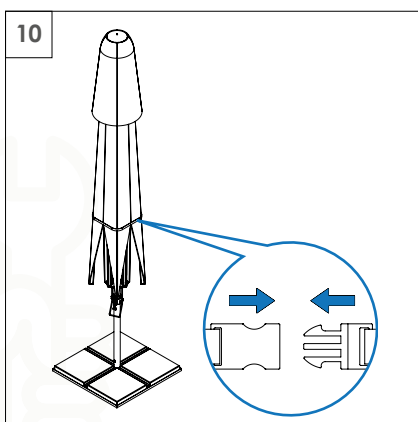
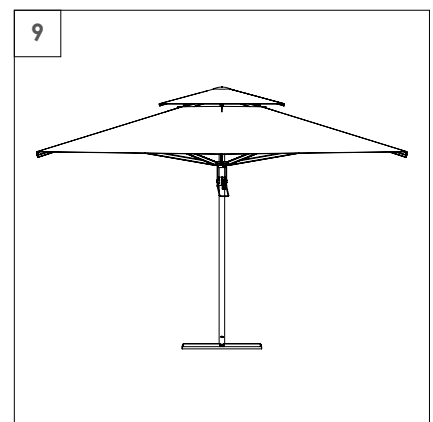
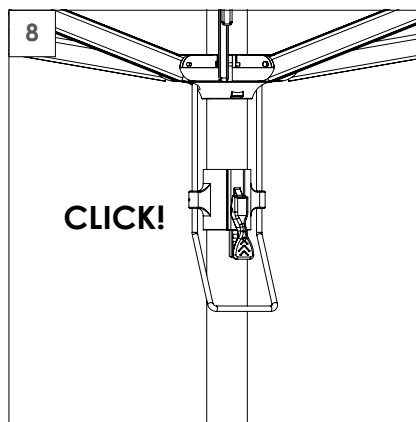
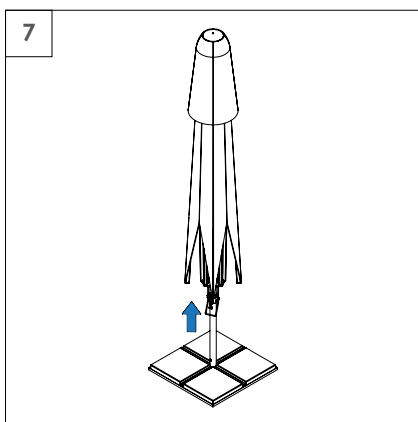
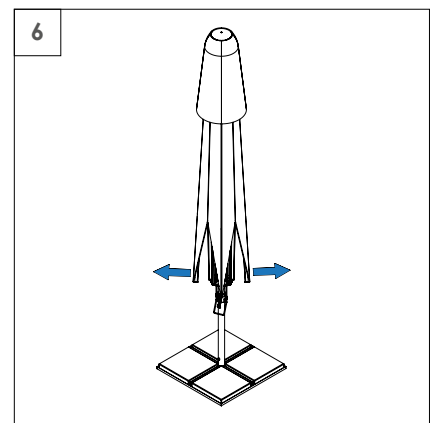
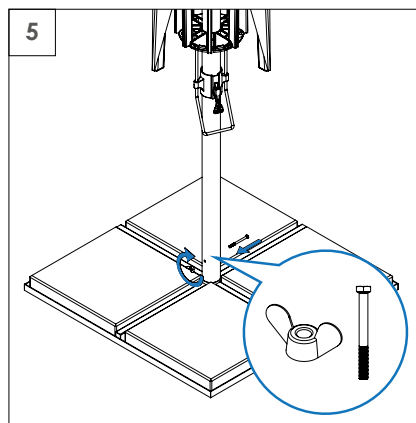
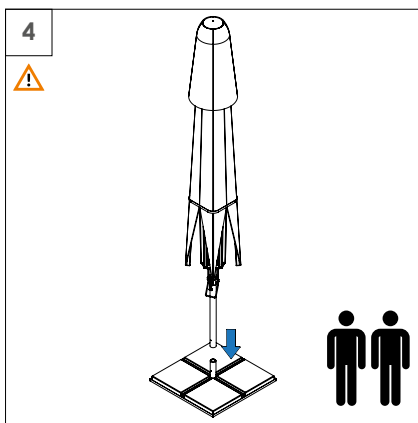
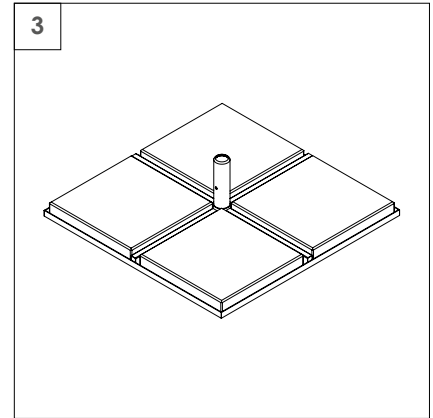
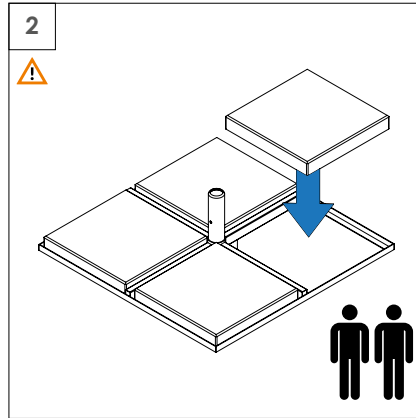
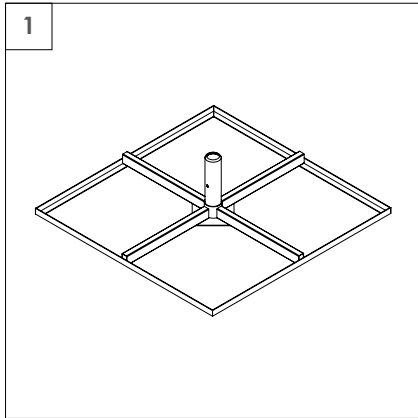


## 6. Mounting of the parasol + Protective cover

### 6.1. PDUE-B50: 3 x 3 m, 3,5 x 3,5 m, 4 x 4 m, 5,5 m/8



## 6.2. PDK5-B50: 5 x 5 m



## 7. Exploitation of the parasol

### 7.1. Opening the parasol

#### ⚠ Warning: Risk of an accident!

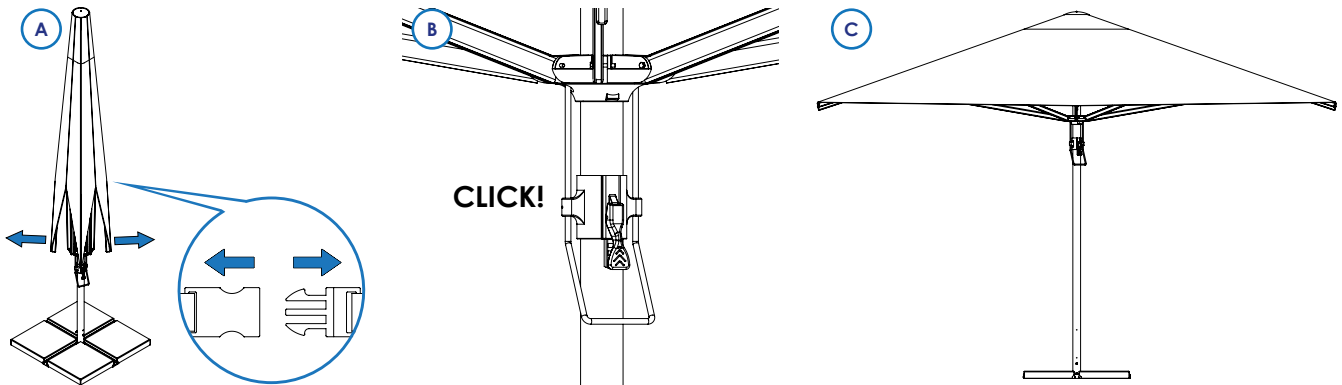
Before opening the parasol, make sure that no persons or objects are in the vicinity of the parasol. To unfold the parasol canopy, you need to:

Fig. A. Unfasten the safety band and help yourself by unfolding the ribs of the parasol while lifting upwards by the handle.

Fig. B. Once the canopy is fully unfolded the parasol will secure itself with the self-locking latch.

The locking bar has degrees of adjustment: the higher you pull up the handle, the more the canopy will be stretched.

Fig. C. Check the security.



### 7.2. Closing the parasol

#### ⚠ Attention: Safety hazard

Before closing the parasol make sure that there are no people or objects near it. To fold the parasol canopy:

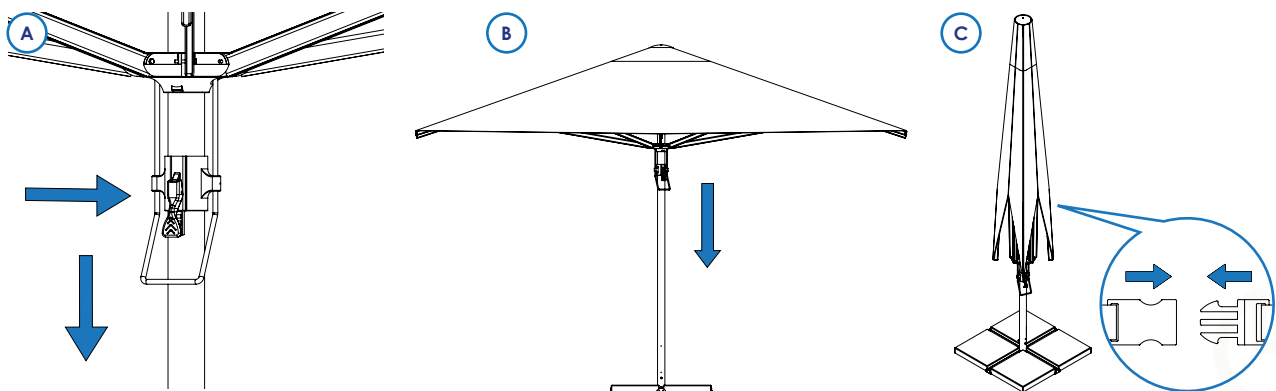
Fig. A. Unlock the latch by pulling it towards you, then pull the telescope handle down.

Fig. B. After passing the blocking bar, the button can be released by pulling the handle further down.

Fig. C. Fasten the safety band.

#### 💡 Tip

In order to avoid staining of the cover, you should only close the parasol in dry weather conditions. We also recommend purchasing a protective cover. If the parasol has been closed while being wet, open it as soon as possible and let it dry. Any kind of position change may take place only after folding the parasol. It is advisable to seek the help of a second person.



#### ⚠ Attention: Safety hazard

Fasten the safety strap (Fig. C). If it is not fastened, there is a risk of parasol opening spontaneously in a gust of wind. The risk of it being opened spontaneously by a gust of wind, posing a further risk to health, damage to property or even loss of life.

## 8. Maintenance and care

The customer should carry out a thorough inspection of the parasol using the list below, after the first installation or before storing the parasol. Do not use any sharp tools such as knives or metal scrapers or caustic cleaners to clean the parasol. Do not use garden hoses or high-pressure cleaners for cleaning.

### Canopy / Textile:

- Do not chemically clean the canopy / fabric.
- Water wash by hand - lightly squeeze.
- Surface wash - lightly rub heavily soiled areas with a wet sponge. Washing temperature-maximum 40°C.
- Type of washing agent - light washing agents for coloured products, e.g. grey soap.
- Draining and drying - do not twist, dry upright hanging in the open air at 19 - 25 degrees Celsius.
- Do not use organic or chemical solvents and do not chlorinate.
- Keep away from open flames. In case of arson, extinguish with water, powder or snow extinguisher.

### Frame construction elements:

- Clean with a damp cloth soaked in soapy water or washing-up liquid. To remove dust, dirt and other contaminants deposited on the structure.
- Before the start of the summer season it is recommended to maintain the pole tube on which the parasol opening mechanism moves. The pole tube should be cleaned with a cloth soaked in benzine (do not use on plastic parts) and then a thin layer of silicone oil should be applied to make the mechanism work easier. Maintenance should be carried out at a frequency depending on the conditions of use and weather conditions, absolutely before the start of the season, and whenever the parasol components (including the frame) are dirty.

### Removing the cover:

**Tools required:** crosshead screwdriver or screwdriver

#### STEPS:

- Loosen the screw and remove the hood from the top of the parasol.
- Detach the Velcro fasteners from the main frame ribs.
- Remove the pockets securing the cover to the frame on the long ribs
- Unscrew the ties securing the cover to the frame on the short ribs.
- Remove the cover.

Putting the cover on is done in the reverse order.

### Annual maintenance:

The customer should carry out a thorough inspection of the parasol using the list below, after the first assembly or before storing the parasol for a long time.

Control activities	Check canopy cover	Check the handle for unfolding the canopy and the locking bar	Check the frame for damages	Check the tightness of all screws
Problem solution	In case of damage replace cover <sup>1</sup>	If damaged, replace the damaged part <sup>1</sup>	In case of damage replace the frame <sup>1</sup>	Tighten loose screws

Control activities	Check the connection between the pole tube and the square profile of the telescope at the top of the frame	Check the condition of the parasol base	Check visually the parasol technical condition
Problem solution	If damaged, replace the frame <sup>1</sup>	If damaged, replace the damaged part <sup>1</sup>	Replace the damaged part <sup>1</sup>

<sup>1</sup> Please contact the manufacturer's service: [www.litex.pl](http://www.litex.pl)

## 9. Storage

The parasol and all its parts must be stored in a dry, frost-free room.

To avoid stains or dirt, before folding the parasol:

- Clean the base, frame and cover.
- Allow the covering to dry completely.
- If you have bought a protective cover you should put it on and store the parasol in this way. If you don't have a dedicated cover you should protect your parasol with another form of protection such as air permeable fabric.
- Keep out of reach of rodents.

**⚠ Caution:** before storing or transporting the parasol, pull the cover from between the ribs of the frame. Failing to do so may result in damage to the fabric.

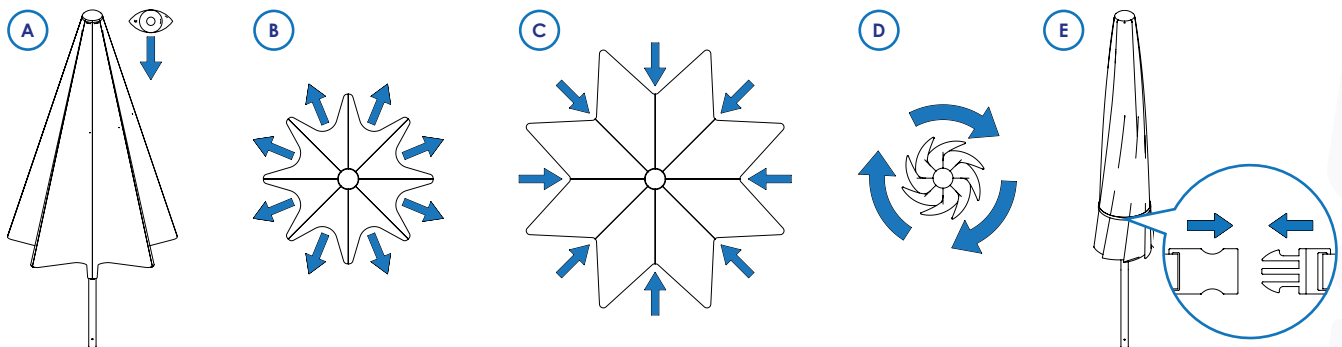
Fig. A. Open the ribs of the parasol.

Fig. B. Pull the canopy out in the direction of the arrows.

Fig. C. Close the ribs in the direction of the arrows.

Fig. D. Wrap the canopy around the closed parasol.

Fig. E. Fasten the safety band.



## 10. Service and parts

If you have any questions about installation or ordering spare parts, please contact Customer Service (contact at [www.litex.pl](http://www.litex.pl) or by e-mail at [info@litex.pl](mailto:info@litex.pl)). In case of complaint, please register it via the complaint form available at [www.litex.pl](http://www.litex.pl).

## 11. Support

You've got doubts? Not everything is understandable?

Contact us:

e-mail: [info@litex.pl](mailto:info@litex.pl)







# LITEX

PROMO

Litex Promo Sp. z o.o.  
Staroprzygodzka 117  
63-400 Ostrów Wielkopolski

[info@litex.pl](mailto:info@litex.pl)  
[www.litex.pl](http://www.litex.pl)